

PUREAIRO DSC 55S

Installation & Operations Manual

PureAiro

Key features:

- Compact and Smallest Size.
- HVAC Remote System.
- Hot Gas Valve Defrosting System.
- Ducting options for focus dehumidification.
- Compatible with Remote Control. (Notice: sold separately)
- Coated coils with the stainless side plate.
- Engineered for low-temperature operation and the air flow issues like the crawl space or attic.
- Multiple quality certifications.



PureAiro solutions inc.

Add: Berlin, Germany

Tel: +44(20) 81247965

E-mail: sales@PureAiro.com

PRODUCT INTRODUCE

Applications

The DSC 55S is built small compact and portable ideal for tight space dehumidification. With the patent for invention protected. This unit has CE, ETL certification.

Overview

moisture remains the greatest threat to your home's structural integrity. Increased humidity levels indoors can cause the growth of mold and mildew and an increase in dust mites. These are known allergens that cause respiratory problems and asthma. This is why need to invest in a dehumidifier today.

TABLE OF CONTENTS

Warranty Registration	02
Safety Notes	02
Principle of Operation	02
Identification	03
Electrical Supply	03
Installation	03
Key Functions	04
Indicator Lights	05
Remote Control	06
Operating Instructions	07
Diagram	07
Maintenance	08
Dehumidifier Storage	09
Ducted Applications	09
Troubleshooting	10
Spare Parts	11
Warranty Information	12

WARRANTY REGISTRATION

Congratulations on purchasing a new Sentinel Dehumidifier. Your new dehumidifier comes with an extensive warranty plan. To register, simply fill out and return the warranty form provided in the dehumidifier box.

Be sure to note your dehumidifier serial number as you will need it for registration.

SAFETY NOTES

- The Sentinel Series Dehumidifier must always be connected using a grounded electrical connection (as required for all electrical appliances). If non-grounded wiring is used, all liability reverts to owner and the warranty is voided.
- Sentinel Dehumidifiers should only be maintained and repaired by a qualified technician.
- Sentinel Dehumidifiers are only intended for operation when oriented with the unit sitting on its feet and level. Operating the unit in any other orientation could allow water to flood electrical components.
- Always unplug dehumidifier before moving.
- If there is a chance that water flooded the dehumidifier, it should be opened and allowed to dry thoroughly before reconnecting to electrical power and restarting.
- To ensure proper operation, neither the inlet nor discharge should be positioned against a wall. The inlet requires a minimum of 305mm clearance and the discharge requires a minimum of 914mm clearance.
- The best option for proper diffusion of air throughout the room is to have the discharge blowing away from a wall and the inlet pulling air in parallel to a wall.
- Do not insert your fingers or any object into the inlet or discharge.
- All work on the dehumidifier should be done with the unit "off" and unplugged.
- Do not use water to clean the exterior of the machine. To clean unit, unplug from power, then use a damp cloth to wipe exterior.
- Do not stand on the machine or use it as a device to hang clothes.

PRINCIPLE OF OPERATION

The Sentinel Series Dehumidifier utilizes its integral humidistat to monitor the conditioned space. When the relative humidity goes above the selected set point, the dehumidifier will energize. Air is drawn across an evaporator coil, which is cooler than the dew point of air. This means moisture will condense out of the air. The air is then reheated through the condenser coil and distributed back into the room.

IDENTIFICATION

For future reference, write down the model, serial number, and date of purchase for your dehumidifier.

This is extremely helpful if you need to seek assistance in the future. The data label on the side of your unit has the key characteristics of your specific machine.

MODEL NUMBER: PureAiro DSC 55S

SERIAL NUMBER: _____ **DATE OF PURCHASE:** _____

For additional questions concerning your dehumidifier, the following options are available:

- Contact your installing contractor
- E-mail; sales@pureairo.com

ELECTRICAL SUPPLY

POWER SUPPLY: 220 V, 50 Hz AC, Single Phase

OUTLET REQUIREMENT: 3-Prong

CIRCUIT PROTECTOR: 15 Amp

TO REDUCE RISK OF INJURY:

1. Disconnect electrical power before servicing
2. Only plug unit into grounded electrical circuit
3. Do not use an extension cord.
4. Do not use a plug adapter

INSTALLATION

The area to be controlled should be sealed with a vapor barrier. If unit is installed in a crawlspace, all vents should be sealed.

WARNING Do not install your dehumidifier in a corrosive environment. Some liquid vapor barriers dry via "solvent evaporation". Always make sure that barrier is completely dry and area is thoroughly ventilated before installing dehumidifier.

STEP #1: PLACE DEHUMIDIFIER ON A LEVEL SURFACE.

Do not place directly on vapor barrier. For example, use blocks, or pavers to create a level surface.

If the unit is handled in such a manner that the compressor did not remain in the upright position, it is necessary to place on a level surface and wait a minimum of 2 hours before turning the unit "on"

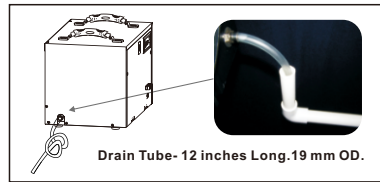
NOTE: PureAiro DSC 55S Dehumidifiers can't sit directly on floor unless the unit is feeding directly into a sump pump next to it. Elevation is required to allow gravity flow of condensate water drain.

STEP #2: SET UP DRAIN LINE

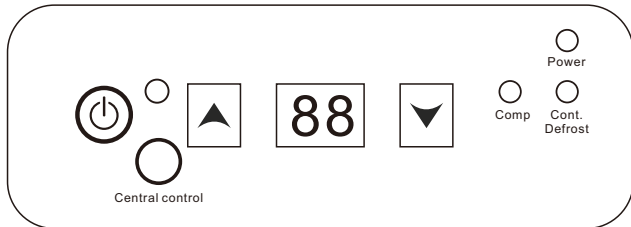
The drain line should be routed to a suitable drain on the outside. It must flow down to a drain without any loops, dips, or valleys.

Recommended Drain Option-Transition to PVC Pipe

- 1 Cut a piece of 3/4" OD PVC that is approx. 6" long.
- 2 Insert PVC into a 3/4" elbow, then attach to a 3/4" OD length of PVC to drain.
(Note: Keep the length of PVC drain pipe to a minimum)
- 3 Insert the open end of the tubing into the 3/4" pipe so that it does not extend into the elbow fitting. For proper flow, a minimum downward slope of 1" per 10' run is required.
(Note: If a proper downward angle is not possible, then it is recommended to use a PureAiro DSC 55S which includes an integrated pump. Alternatively you can use an external condensate pump).
- 4 Support the PVC tubing so that it maintains a smooth downward flow to drain.
- 5 **Always test the drain before leaving the installation area.**



STEP #3: PLUG UNIT INTO 15 AMP GROUNDED CIRCUIT.



Key Functions

1 POWER KEY

Use this button to turn the dehumidifier on and off. Press once to turn machine on. You will hear 2 beeps and the Power light will illuminate green. Press the power button a second time and you will hear one beep as the machine shuts down. Note that there is a one minute fan delay on shut - down.

2 ARROW BUTTONS

Use the up and down arrow button to set the desired humidity setpoint on the display screen.

The setpoint can be any number between 36-90%. Creating a setpoint means that when the indoor humidity is lower than the set point, the machine will stop automatically. Conversely, when the indoor humidity is higher than the set level, the unit will operate.

NOTE: The humidity levels displayed are approximate only (+/- 5%)

3 CONTINUOUS MODE



To switch into continuous mode, simply use the down arrow to set the humidity below 36%. The Cont light should illuminate green on the display board to indicate that you have successfully switched into continuous mode. The display screen will show "CO".

When set to continuous, the dehumidifier will run constantly, regardless of the humidity level. To stop the machine, turn the unit off or switch back to normal humidistat operation. If you would like to switch back to normal humidistat operation, simply move the setpoint above 36%.

4 CENTRAL CONTROL

This mode is not applicable on the PureAiro DSC 55S.

5 AUXILLARY TERMINALS A5/A6

The A5/A6 on the terminal strip can be used as a safety switch for external condensate pumps.

It should be set to N/O (normally open) at the dehumidifier. If an E4 error occurs, switch the wiring to NC (normally closed).

INDICATOR LIGHTS

1 HUMIDITY DISPLAY SCREEN



The display screen has two functions:

1. When the unit is powered on, it shows the humidity of the space.
2. While setting the desired humidity level, the screen will show the set humidity. After a brief delay, the display will revert to current humidity level.

2 POWER INDICATOR LIGHT



This light indicates that the unit is properly powered on and ready to operate. Always make sure the unit is "off" prior to performing any service.

3 CONTINUOUS MODE/AUTODEFROST LIGHT



When this light illuminates green, it indicates that the dehumidifier is set to continuous operation mode.

When the light glows red, it means the unit is in auto defrost mode and clearing the evaporator coil of any ice buildup.

4 COMPRESSOR LIGHT

When the compressor light glows red, it indicates the compressor has been initiated but is currently warming up.

Once the compressor light switches to green, it indicates the compressor is in working status.

REMOTE CONTROL INSTRUCTIONS

Sentinel Dehumidifiers can be controlled using an optional remote accessory. The Sentinel Remote Control connects to your Sentinel Series Dehumidifier via a 25' CAT 5 cable. The remote control contains an integrated sensor which gives you multiple options for remotely controlling your unit, in addition to monitoring the conditions surrounding the dehumidifier.

One application for the remote control is to install the dehumidifier in one room with the conditioned air ducted into a second room that contains the remote. For example, the dehumidifier could be installed in a laundry room and ducted into a living room. The remote would then be mounted in the living room so the remote sensor can control the humidity and provide easy controls for the user.

Another useful application for the remote control is if the dehumidifier is in area that's difficult to access on a regular basis. For instance, if your dehumidifier is installed in your crawl space, the remote could be mounted in your living space or garage. This provides you with an easy way to monitor the dehumidifier.

1 ON/OFF (POWER)BUTTON

Press the on/off button and the machine will start running (one beep). Press the button again to turn the machine off.

2 UP BUTTON / DOWN BUTTON

Use the Up and Down arrow buttons to adjust the humidity level.

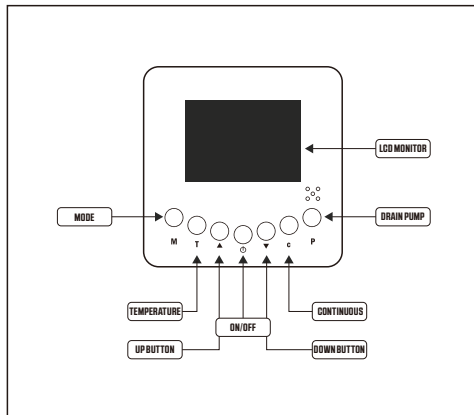
3 MODE

Use the Mode button to switch between dehumidification and a ducted application. The symbol on the display board indicates the sensor on the remote control is being utilized.

The symbol on the display board indicates the sensor on the dehumidifier is being utilized.

4 TEMPERATURE

Press the temperature button to display the current temperature on the screen. Press the button again to turn off the display.



5 CONTINUOUS

Press this button to switch the unit into continuous mode.

Cont. will appear on the display to indicate continuous mode.

6 DRAIN PUMP

Use this button if the unit will not be in use for an extended period of time. Pressing the drain pump button will remove water from the pump reservoir, so the unit can be safely moved or stored.

THIS FUNCTION IS ONLY AVAILABLE ON THE Sentinel HDi90 model.

NOTE: Symbols indicated above will only appear when the dehumidifier is powered on.

OPERATING INSTRUCTIONS

1 START THE MACHINE

Press the power key to turn the machine on.

2 ADJUST THE SETTINGS

Use the up and down arrow keys to adjust your desired setpoint (typically 50-55%).

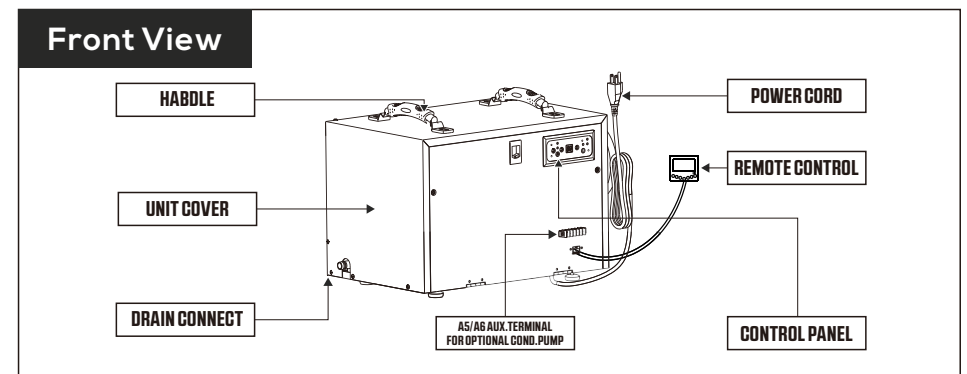
3 STOP THE MACHINE

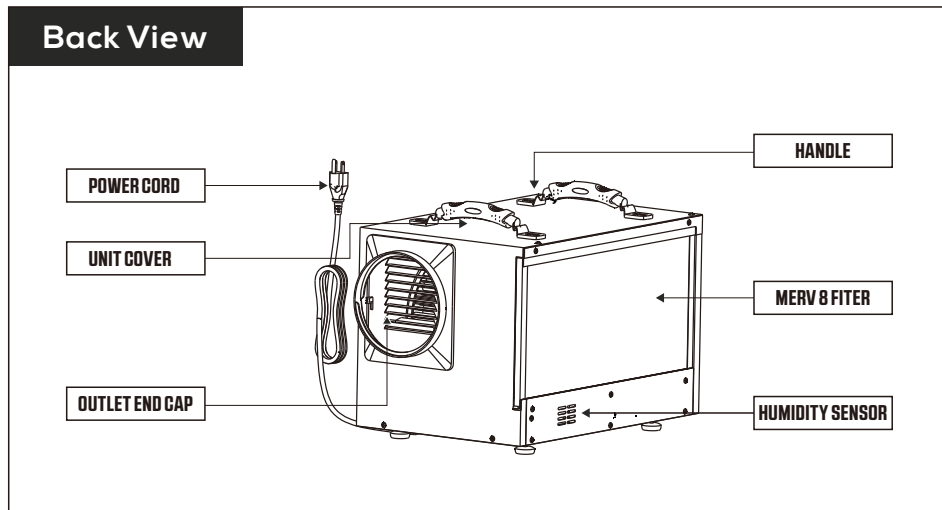
Press the power key again and the machine will stop. Note the fan will continue to operate for 1 minute after the unit has turned off. **NOTE: Do not disconnect the power cord to force unit to stop. Always use the power button.**

4 WATER DRAINAGE

During normal operation, the PureAiro DSC 55S will automatically drain by the force of gravity. If you want to move or store your machine, wait at least 10 minutes to allow the machine to completely defrost, then lean unit gently towards drain to ensure that it is completely drained.

PUREAIRO DSC 55S DIAGRAM





Maintenance

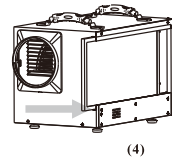
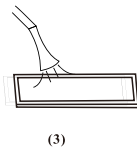
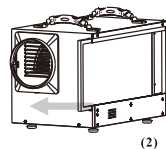
WARNING Always unplug the unit before doing any maintenance.

CLEANING THE MACHINE BODY

1. Use a soft damp cloth to clean exterior of unit. Do not use any soap or solvents.

CLEANING THE FILTER

1. Unplug the unit.
2. Slide out the filter.
3. Clean the filter mesh by vacuuming or washing with warm water (no soap or solvents).
4. Be sure filter is completely dry before restarting unit.



COIL MAINTENANCE

1. Once per year, clean the coils with an approved coil cleaner
2. Coil cleaner should be a self rinsing, foaming cleaner such as WEBR ©Coil Cleaner.

DEHUMIDIFIER STORAGE

If the unit will be stored for an extended period of time, complete the following steps:

1. Turn off the unit and allow to dry
2. Wrap and secure the power cord,
3. Cover the filter mesh.
4. Store in a clean, dry space.

DUCTED APPLICATIONS

Ducting the dehumidifier allows the unit to be in one room while conditioning an adjacent room. The supply grille is designed for 6" flex ducting. Be sure to secure the ducting with tie wrap. Also, keep in mind that the supply ducting can be screwed into an adapter if necessary.

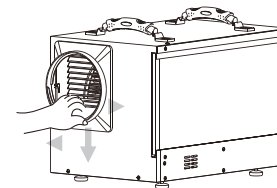
DUCTING INSTALLATION

Maximum length for ducting= 6'

Note: The supply duct adapter is standard on all units.

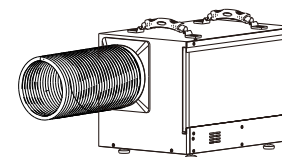
REMOVING SUPPLY DUCT ADAPTER

If it is necessary to remove the adapter, place hand at bottom of adapter and use your fingers to pull out and down on base of adapter. This will lift hooks out of cover holes.



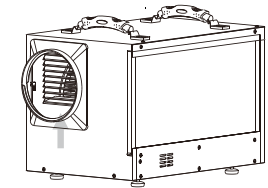
FLEX DUCT INSTALLATION

Rotate the flex duct counter-clockwise



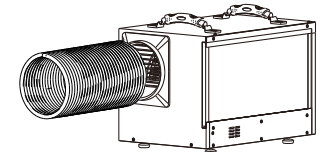
INSTALLING SUPPLY DUCT ADAPTER

To install adapter, line up with holes on the side of unit and push up from base of adapter.



FLEX DUCT REMOVAL

Rotate flex duct clockwise.



TROUBLESHOOTING

SYMPTOM	CAUSE	SOLUTION
Machine Won't Run	Power Supply	Verify that there is power to the outlet and that the plug is properly installed in outlet
	Room Temperature Over 40.6°C (Display HI) or Below 1°C (Display LO)	The unit is outside the operating temperature range. Modify the room conditions so the temperature is between 1-40.6°C and operation will commence.
Low Air Flow	Air Filter is Clogged	Clean the filter mesh according to instructions listed in manual.
	Air Inlet or Outlet is Blocked.	Clear the blockage from inlet or outlet.
Loud Noise	Machine is Not Level	Move the dehumidifier to flat, firm ground.
	Filter Mesh is Blocked	Clean the filter mesh according to instructions listed in manual.
Trouble Code E:1	E1=Humidity Sensor issues	Check to ensure that wire is connected at both ends. If no issues are visible, the sensor may be faulty.
Trouble Code: HI or LO	Room Temperature Over 40.6°C or Below 1°C (Display LO)	The unit is outside the operating temperature range. Modify the room conditions so the temperature is between 1-40.6°C and operation will commence. If room conditions are within temperature range, replace defective sensor.

PUREAIRO DSC 55S SPARE PARTS

ALL SENTINEL MODELS-PARTS	
Part#	Description
S-100	Remote Control Package(cable+remote)
S-101	Remote Control
S-102	Remote Control Cable,25'
S-107	Flexible Supply Duct,72"
S-108	Main Control Board
S-109	Display Board
S-110	RH/Temperature Sensor
PUREAIRO DSC 55S-PARTS	
Part#	Description
S-500	Fan Motor
S-501	Complete Fan Assembly
S-502	Fan Capacitor
S-503	Compressor
S-504	Compressor Capacitor
S-505.	Coil Assembly
S-506.	Hot Gas Bypass Coil
S-508	RH/Temperature Sensor Cable
S-509	Display Cable
S-510	CAT 5 Prot Internal Cable
S-513	Foot,adjustable
PUREAIRO DSC 55S-FILTERS	
Part#	Description
S-517	MERV-8 Filter
S-518	HEPA Filter
S-519	Carbon Filter

LIMITED WARRANTY

All warranty benefits apply to the original owner only. Warranty cannot be transferred or assigned.

1 YEAR (FROM DATE OF PURCHASE): PureAiro warrants the dehumidifier will operate free of defects in workmanship and materials. At its discretion, PureAiro will repair or replace any malfunctioning components, free of charge (excluding transportation costs)

3 YEARS (FROM DATE OF PURCHASE): PureAiro warrants the refrigeration circuit (compressor, condenser and evaporator) will operate free of defects in material or workmanship. At its discretion, PureAiro will replace defective parts, including factory labor or refrigerant. This does not include transportation.

5 YEARS (FROM DATE OF PURCHASE): PureAiro warrants the compressor, condenser, and evaporator will operate free of any defects in material or workmanship. At its discretion, PureAiro will repair or replace the defective parts. This does not include labor, transportation, or refrigerant.

CUSTOMER RESPONSIBILITIES: In order to take advantage of the warranty service, the customer must do the following:

- 1 Customer must provide normal care and maintenance (including, but not limited to cleaning filters, coils and pumps)
- 2 Removal and re-installation of unit is the sole responsibility of owner.
- 3 If customer cannot return unit to certified repair center, all costs associated with freight shipment are borne by the customer. In addition, all duties related to freight shipments, including but not limited to palletizing, wrapping, labeling, and pickup are associated with customer.
- 4 If shipped, customer is responsible for all risk of loss or damage.

PRUEAIRO WARRANTY STEPS:

- 1 Once goods are received customers must log in www.pureairo.com to fill out the warranty Registration form and submit to PureAiro company. We will receive your purchasing and installation information and save it.
If no warranty registration is sent to us, warranty period will begin the day the shipment left the warehouse. Please be sure to record serial # and date of installation. You will need this information to receive the RA number.
- 2 If warranty service is necessary, customers must contact PureAiro Tech Support by sales@pureairo.com or local technical service phone to receive a Return Authorization (RA number). Once an RA has been issued, customers should bring the unit to a certified repair center. PureAiro will arrange the shipping to bring the unit back to the Alorair warehouse (at the expense of the customers) if customers are not available.
- 3 After the unit has been received by PureAiro (whether at a repair center or the warehouse), PureAiro will have an initial inspection. If it is determined to be invalid warranty claim (see exclusions below), customers have to pay for all associated repair costs and shipping costs for units repair.
- 4 Customers can pick up the unit after repair at their own expense for shipping. Units will have a rigorous testing before sending it back to customers.
- 5 If the unit can no longer be fixed, and it is in the warranty period and determined to be valid claim, we will ship the customer a new unit within the same year warranty from the date of replacement.

- 6 After parts are repaired or replaced by PureAiro, the original warranty period continues to apply until it meets its deadline. No extensions to the original warranty period.

LIMITED WARRANTY EXCLUSIONS

EXCLUSIONS:

DAMAGE DUE TO THE FOLLOWING IS NOT COVERED UNDER WARRANTY

1 ACTS OF NATURE- INCLUDING BUT NOT LIMITED TO:

- FLOODING
- FIRE
- WATER DAMAGE
- HURRICANE / STORM DAMAGE

2 IMPROPER USAGE- INCLUDING BUT NOT LIMITED TO:

- POOL / SPA / TUB APPLICATIONS
- MISUSE, ABUSE, OR TAMPERING WHETHER INTENTIONAL OR ACCIDENTAL
- IMPROPER INSTALLATION OR DESIGN
- IMPROPER VOLTAGE
- LACK OF NORMAL CARE
- FAILURE TO FOLLOW INSTRUCTIONS

3 CORROSION

4 FREEZING

5 ANY ADDITIONAL COSTS DUE TO CHANGES IN LAWS OR BUILDING CODES

6 FREIGHT CHARGES

7 ANY COSTS DUE TO LOST PROFIT OR DELAY

8 DAMAGE TO PROPERTY

9 CAUSE BEYOND CONTROL

10 CONSUMABLE PARTS, INCLUDING BUT NOT LIMITED TO:

- FILTERS
- BATTERIES
- POWER CORDS
- VALVES
- SWITCHES
- RUBBER PARTS

11 DIRECT, INDIRECT, COLLATERAL OR INCONSEQUENTIAL DAMAGES OF ANY KIND

THE WARRANTIES AND LIABILITIES SET FORTH ARE IN LIEU OF ALL OTHER WARRANTIES EXPRESSED OR IMPLIED, IN LAW OR IN FACT, INCLUDING IMPLIED WARRANTIES OF MERCHANTABILITY AND FITNESS FOR PARTICULAR PURPOSE. PureAiro's total liability, regardless of nature of claim shall not exceed original purchase price of the product if a product or component is replaced while under warranty, the applicable warranty period shall not be extended beyond the original warranty time period.