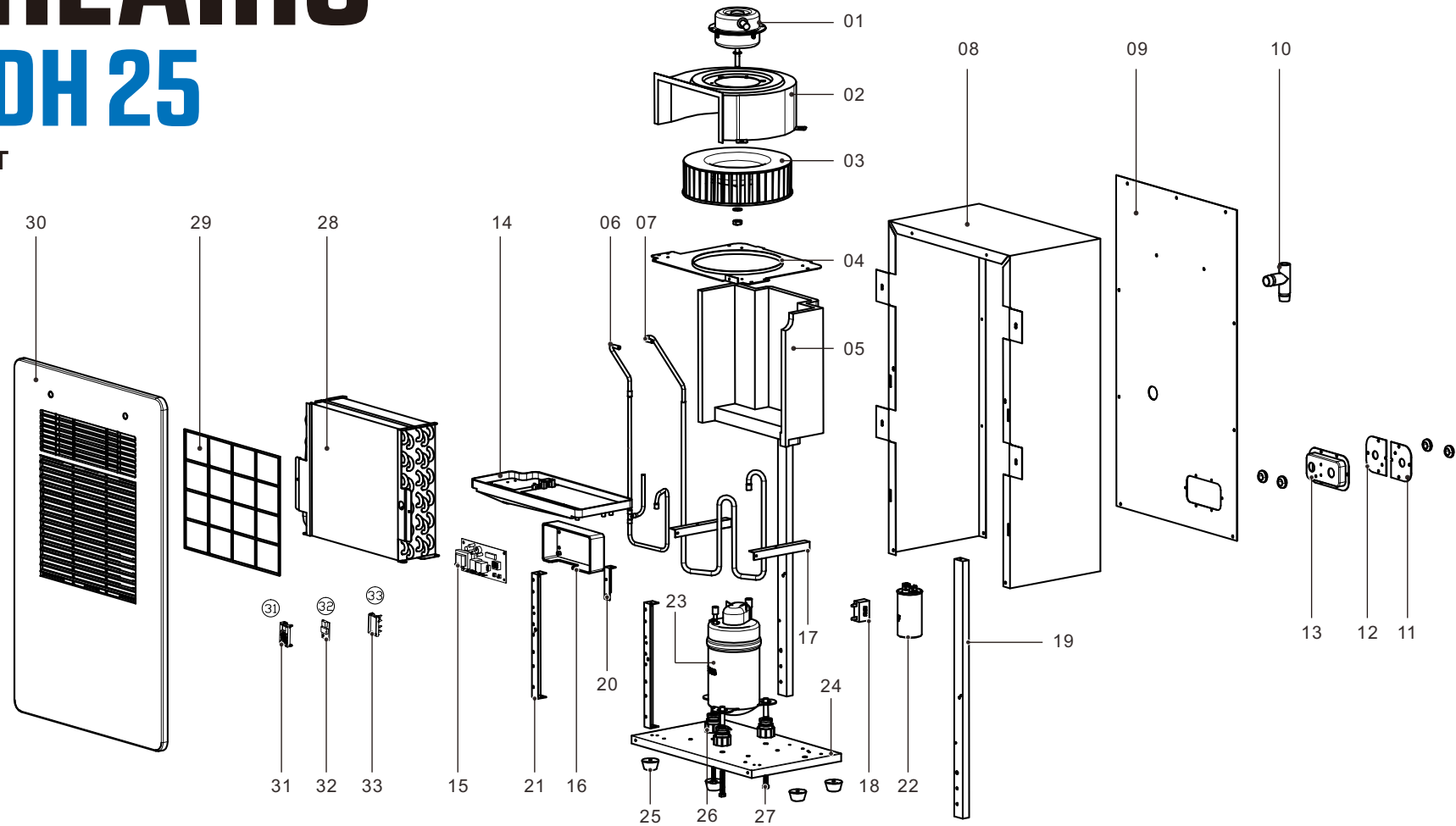


# PUREAIRO

## WMDH 25

### PART LIST



NO.	NAME MODEL	Model	QUANTITY	NO.	NAME MODEL	Model	QUANTITY	NO.	NAME MODEL	Model	QUANTITY
1	Motor	120V / 60Hz R: 930	1	11	Left cover	Galvanized sheet	1	22	Compressor capacitor	20uf / 250V	1
2	Volute	Galvanized sheet	1	12	Right cover	Galvanized sheet	1	23	Compressor	Package	1
3	Wind round	ABS + 30% Glassfiber	1	13	Box cover	Galvanized sheet	1	24	Chassis	Galvanized sheet	1
4	Duct separator	Galvanized sheet	1	14	Water box	PP	1	25	Rubber Feet	Ø30 x 17	4
5	Duct Foam	Foam 60 times/ Fireproof/ 51G	1	15	Dashboard	PCB	1	26	Sleeve	Ø10.5 X Ø8.5	3
6	Exhaust pipe	TP2Y2Ø6 X 0.6	1	16	Electrical box	Retardant ABS	1	27	Compressor Bolt	M8 X 55	3
7	Return pipe	TP2Y2Ø8 X 0.6	1	17	Water dish long bracket	Galvanized sheet	2	28	Cooled heat exchanger	2+3 2518	1
8	Side frame	Galvanized sheet	1	18	Fan capacitor	3uf / 250V	1	29	Filter	PP+Nylon mesh	1
9	Cover	Galvanized sheet	1	19	Spacer bracket	Galvanized sheet	2	30	Panel	HIPS	1
10	Tee	PP	1	20	Short water tray bracket	Galvanized sheet	1	31	Humidity box cover	PP	1
				21	Chassis bracket	Galvanized sheet	2	32	Humidity Sensor	S10	1
								33	Humidity cassette holder	PP	1